

2SK2907-01R

FUJI POWER MOS-FET

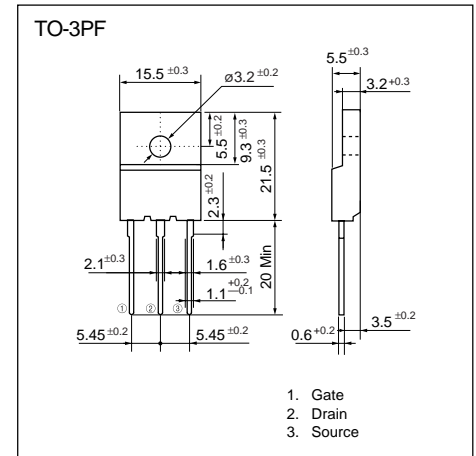
N-CHANNEL SILICON POWER MOS-FET

■ Features

- High speed switching
- Low on-resistance
- No secondary breakdown
- Low driving power
- Avalanche-proof

■ Applications

- Switching regulators
- UPS (Uninterruptible Power Supply)
- DC-DC converters



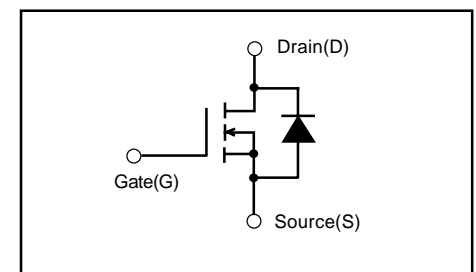
■ Maximum ratings and characteristic Absolute maximum ratings

● (T_c=25°C unless otherwise specified)

Item	Symbol	Rating	Unit
Drain-source voltage	V _{DS}	60	V
Continuous drain current	I _D	±100	A
Pulsed drain current	I _{D(puls)}	±400	A
Gate-source voltage	V _{GS}	±30	V
Maximum Avalanche Energy	E _{AV} *1	1268.3	mJ
Max. power dissipation	P _D	125	W
Operating and storage temperature range	T _{ch} T _{stg}	+150 -55 to +150	°C

*1 L=0.169mH, V_{cc}=24V

■ Equivalent circuit schematic



● Electrical characteristics (T_c =25°C unless otherwise specified)

Item	Symbol	Test Conditions	Min.	Typ.	Max.	Units	
Drain-source breakdown voltage	BV _{DSS}	I _D =1mA V _{GS} =0V	60			V	
Gate threshold voltage	V _{GS(th)}	I _D =10mA V _{DS} =V _{GS}	2.5	3.0	3.5	V	
Zero gate voltage drain current	I _{DSS}	V _{DS} =60V V _{GS} =0V	T _{ch} =25°C		10	500	μA
			T _{ch} =125°C		0.2	1.0	mA
Gate-source leakage current	I _{GSS}	V _{GS} =±30V V _{DS} =0V		10	100	nA	
Drain-source on-state resistance	R _{DS(on)}	I _D =50A V _{GS} =10V		5.7	7.8	mΩ	
Forward transconductance	g _{fs}	I _D =50A V _{DS} =25V	25	55		S	
Input capacitance	C _{iss}	V _{DS} =25V		5400	8100	pF	
Output capacitance	C _{oss}	V _{GS} =0V		2100	3150	pF	
Reverse transfer capacitance	C _{rss}	f=1MHz		550	830	pF	
Turn-on time t _{on}	td(on)	V _{CC} =30V I _D =100A		29	50	ns	
	t _r	V _{GS} =10V		200	350		
Turn-off time t _{off}	td(off)	R _{GS} =10 Ω		160	240	ns	
	t _f			150	230		
Avalanche capability	I _{AV}	L=100 μH T _{ch} =25°C	100			A	
Diode forward on-voltage	V _{SD}	I _F =100A V _{GS} =0V T _{ch} =25°C		1.0	1.5	V	
Reverse recovery time	t _{rr}	I _F =50A V _{GS} =0V		85		ns	
Reverse recovery charge	Q _{rr}	-di/dt=100A/μs T _{ch} =25°C		0.21		μC	

● Thermal characteristics

Item	Symbol	Test Conditions	Min.	Typ.	Max.	Units
Thermal resistance	R _{th(ch-c)}	channel to case			1.0	°C/W
	R _{th(ch-a)}	channel to ambient			30.0	°C/W

Characteristics

