

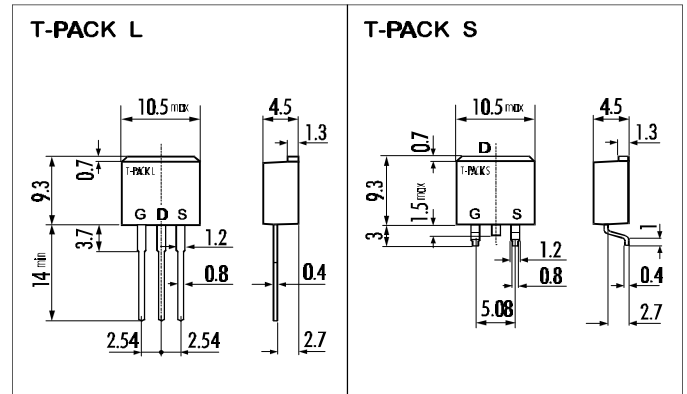
> **Features**

- High Current
- Low On-Resistance
- No Secondary Breakdown
- Low Driving Power
- High Forward Transconductance

> **Applications**

- Motor Control
- General Purpose Power Amplifier
- DC-DC converters

> **Outline Drawing**

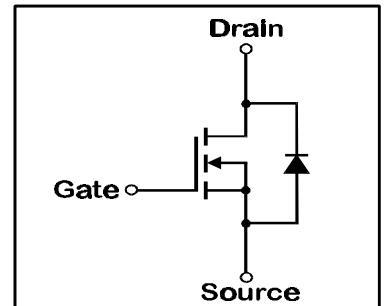


> **Maximum Ratings and Characteristics**

- Absolute Maximum Ratings ($T_C=25^\circ\text{C}$), unless otherwise specified

Item	Symbol	Rating	Unit
Drain-Source-Voltage	V_{DS}	30	V
Drain-Gate-Voltage ($R_{GS}=20K\Omega$)	V_{DGR}	30	V
Continuous Drain Current	I_D	35	A
Pulsed Drain Current	$I_{D(puls)}$	140	A
Gate-Source-Voltage	V_{GS}	± 20	V
Max. Power Dissipation	P_D	60	W
Operating and Storage Temperature Range	T_{ch}	150	$^\circ\text{C}$
	T_{stg}	-55 ~ +150	$^\circ\text{C}$

> **Equivalent Circuit**



- Electrical Characteristics ($T_C=25^\circ\text{C}$), unless otherwise specified

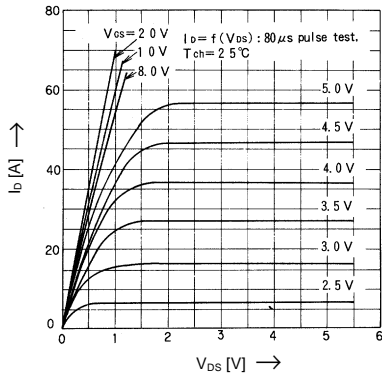
Item	Symbol	Test conditions	Min.	Typ.	Max.	Unit
Drain-Source Breakdown-Voltage	$V_{(BR)DSS}$	$I_D=1\text{mA}$ $V_{GS}=0\text{V}$	30			V
Gate Threshold Voltage	$V_{GS(th)}$	$I_D=1\text{mA}$ $V_{DS}=V_{GS}$	1,0	1,5	2,5	V
Zero Gate Voltage Drain Current	I_{DSS}	$V_{DS}=30\text{V}$ $T_{ch}=25^\circ\text{C}$		10	500	μA
		$V_{GS}=0\text{V}$ $T_{ch}=125^\circ\text{C}$		0,2	1,0	mA
Gate Source Leakage Current	I_{GSS}	$V_{GS}=\pm 20\text{V}$ $V_{DS}=0\text{V}$		10	100	nA
Drain Source On-State Resistance	$R_{DS(on)}$	$I_D=17,5\text{A}$ $V_{GS}=4\text{V}$		0,025	0,037	Ω
		$I_D=17,5\text{A}$ $V_{GS}=10\text{V}$		0,016	0,022	Ω
Forward Transconductance	g_{fs}	$I_D=17,5\text{A}$ $V_{DS}=12\text{V}$	8	17		S
Input Capacitance	C_{iss}	$V_{DS}=25\text{V}$		1750	2630	pF
Output Capacitance	C_{oss}	$V_{GS}=0\text{V}$		800	1200	pF
Reverse Transfer Capacitance	C_{rss}	$f=1\text{MHz}$		400	600	pF
Turn-On-Time t_{on} ($t_{on}=t_{d(on)}+t_r$)	$t_{d(on)}$	$V_{CC}=12\text{V}$		25	38	ns
	t_r	$I_D=35\text{A}$		100	150	ns
Turn-Off-Time t_{off} ($t_{off}=t_{d(off)}+t_f$)	$t_{d(off)}$	$V_{GS}=10\text{V}$		300	450	ns
	t_f	$R_{GS}=25\Omega$		180	270	ns
Continuous Reverse Drain Current	I_{DR}				35	A
Pulsed Reverse Drain Current	I_{DRM}				140	A
Diode Forward On-Voltage	V_{SD}	$I_F=2I_{DR}$ $V_{GS}=0\text{V}$ $T_{ch}=25^\circ\text{C}$		1,35	2,0	V
Reverse Recovery Time	t_{rr}	$I_F=I_{DR}$ $V_{GS}=0\text{V}$		100		ns
Reverse Recovery Charge	Q_{rr}	$-di_F/dt=100\text{A}/\mu\text{s}$ $T_{ch}=25^\circ\text{C}$		0,5		μC

- Thermal Characteristics

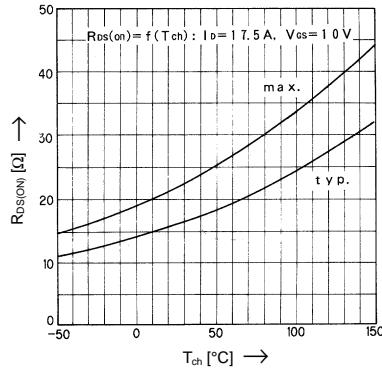
Item	Symbol	Test conditions	Min.	Typ.	Max.	Unit
Thermal Resistance	$R_{th(ch-a)}$	channel to air			125	$^\circ\text{C}/\text{W}$
	$R_{th(ch-c)}$	channel to case			2,08	$^\circ\text{C}/\text{W}$

> Characteristics

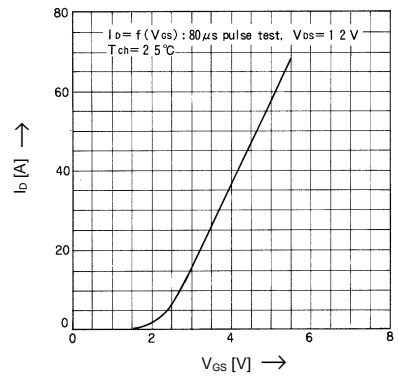
Typical Output Characteristics



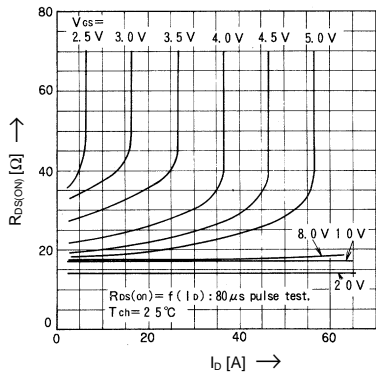
Drain-Source-On-State Resistance vs. Tch



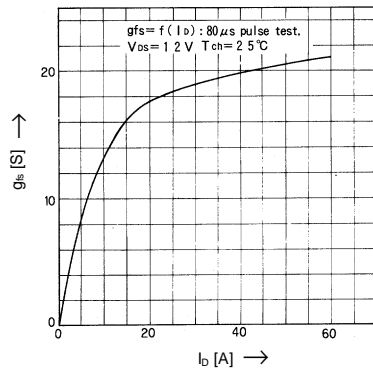
Typical Transfer Characteristics



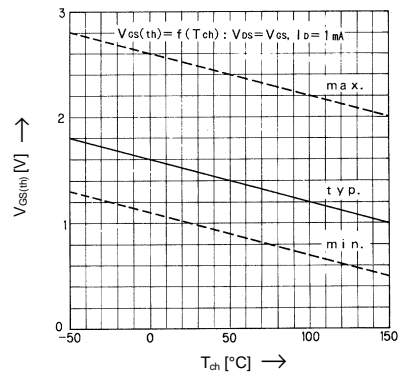
Typical Drain-Source-On-State-Resistance vs. Id



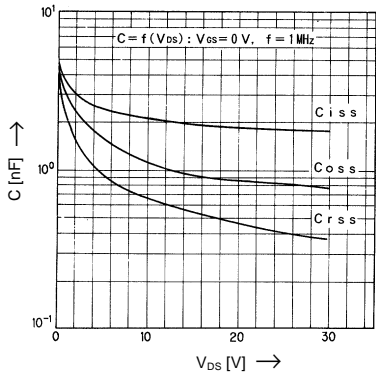
Typical Forward Transconductance vs. Id



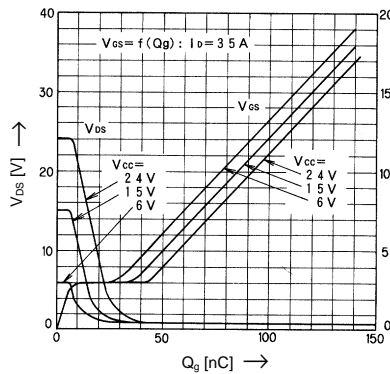
Gate Threshold Voltage vs. Tch



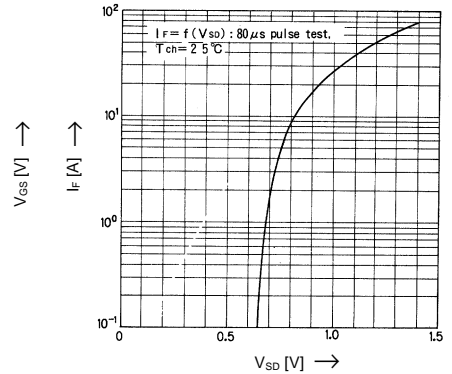
Typical Capacitance vs. Vds



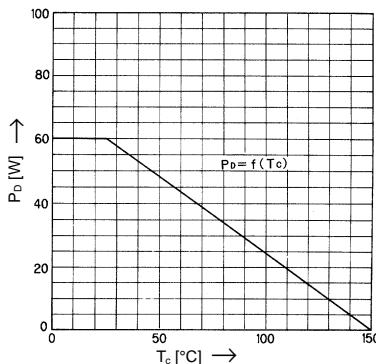
Typical Input Charge



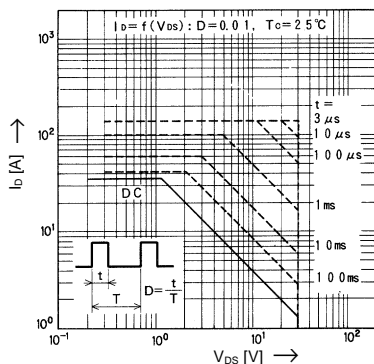
Forward Characteristics of Reverse Diode



Allowable Power Dissipation vs. Tch



Safe operation area



↑

Transient Thermal impedance

