

# SPECIFICATION

DEVICE NAME : Power MOSFET

TYPE NAME : 2SJ473-01L,S

SPEC. NO. :

Fuji Electric Co.,Ltd.

This Specification is subject to change without notice.

	DATE	NAME	APPROVED		<b>Fuji Electric Co.,Ltd.</b>
DRAWN					
CHECKED					
				DWG. NO.	1/13

1.Scope This specifies Fuji Power MOSFET 2SJ473-01L,S

2.Construction P-Channel enhancement mode power MOSFET

3.Applications for Switching

4.Outview K-Pack L-Type : Outview See to 5/13 page  
S-Type : Outview See to 6/13 page

5.Absolute Maximum Ratings at Tc=25°C (unless otherwise specified)

Description	Symbol	Characteristics	Unit	Remarks
Drain-Source Voltage	V <sub>DS</sub>	-60	V	
Continuous Drain Current	I <sub>D</sub>	±7	A	
Pulsed Drain Current	I <sub>DP</sub>	±28	A	
Gate-Source Voltage	V <sub>GS</sub>	±20	V	
Maximum Avalanche Energy	E <sub>AV</sub>	141.8	mJ	*1
Maximum Power Dissipation	P <sub>D</sub>	20	W	
Operating and Storage	T <sub>ch</sub>	150	°C	
Temperature range	T <sub>stg</sub>	-55 to +150	°C	

\*1 L=3.86mH,V<sub>cc</sub>=-24V

6.Electrical Characteristics at Tc=25°C (unless otherwise specified)

Static Ratings

Description	Symbol	Conditions	min.	typ.	max.	Unit
Drain-Source Breakdown Voltage	BV <sub>DSS</sub>	I <sub>D</sub> =-1mA V <sub>GS</sub> =0V	-60			V
Gate Threshold Voltage	V <sub>GS(th)</sub>	I <sub>D</sub> =-1mA V <sub>DS</sub> =V <sub>GS</sub>	-1.0	-1.5	-2.5	V
Zero Gate Voltage Drain Current	I <sub>DSS</sub>	V <sub>DS</sub> =-60V V <sub>GS</sub> =0V		-10	-500	μA
		T <sub>ch</sub> =25°C				
		T <sub>ch</sub> =125°C		-0.2	-1.0	mA
Gate-Source Leakage Current	I <sub>GSS</sub>	V <sub>GS</sub> =±20V V <sub>DS</sub> =0V		10	100	nA
Drain-Source On-State Resistance	R <sub>DS(on)</sub>	I <sub>D</sub> =-3.5A		260	350	mΩ
		V <sub>GS</sub> =-4V				
		V <sub>GS</sub> =-10V		150	200	

### Dynamic Ratings

Description	Symbol	Conditions	min.	typ.	max.	Unit
Forward Transconductance	$g_{fs}$	$I_D = -3.5A$ $V_{DS} = -25V$	2.5	5.0		S
Input Capacitance	$C_{iss}$	$V_{DS} = -25V$		550	830	pF
Output Capacitance	$C_{oss}$	$V_{GS} = 0V$		200	300	
Reverse Transfer Capacitance	$C_{rss}$	$f = 1MHz$		110	170	
Turn-On Time	$t_{d(on)}$	$V_{cc} = -30V$		10	15	ns
	$t_r$	$V_{GS} = -10V$		20	30	
Turn-Off Time	$t_{d(off)}$	$I_D = -7A$		60	90	
	$t_f$	$R_{GS} = 10\Omega$		25	50	

### Reverse Diode

Description	Symbol	Conditions	min.	typ.	max.	Unit
Avalanche Capability	$I_{AV}$	$L = 100\mu H$ $T_{ch} = 25^\circ C$ See Fig.1 and Fig.2	-7			A
Diode Forward On-Voltage	$V_{SD}$	$I_F = 2 \times I_{DR}$ $V_{GS} = 0V$ $T_{ch} = 25^\circ C$		-2.5	-3.8	V
Reverse Recovery Time	$t_{rr}$	$I_F = I_{DR}$		110		ns
Reverse Recovery Charge	$Q_{rr}$	$di/dt = 100A/\mu s$ $T_{ch} = 25^\circ C$		0.5		$\mu C$

### 7. Thermal Resistance

Description	Symbol	min.	typ.	max.	Unit
Channel to Case	$R_{th(ch-c)}$			6.25	$^\circ C/W$
Channel to Ambient	$R_{th(ch-a)}$			150	$^\circ C/W$

Fig.1 Test circuit

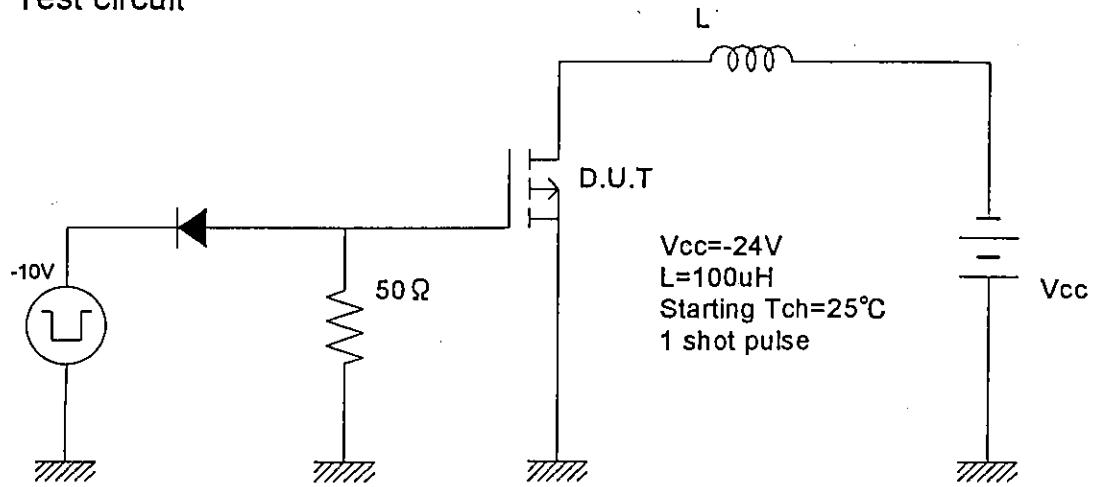
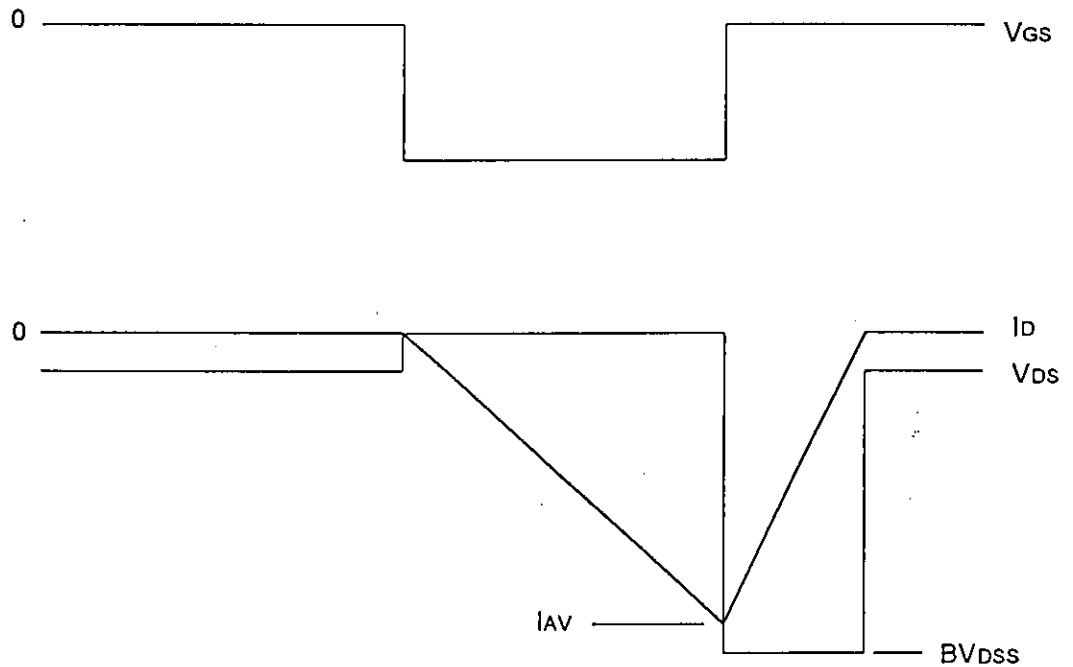
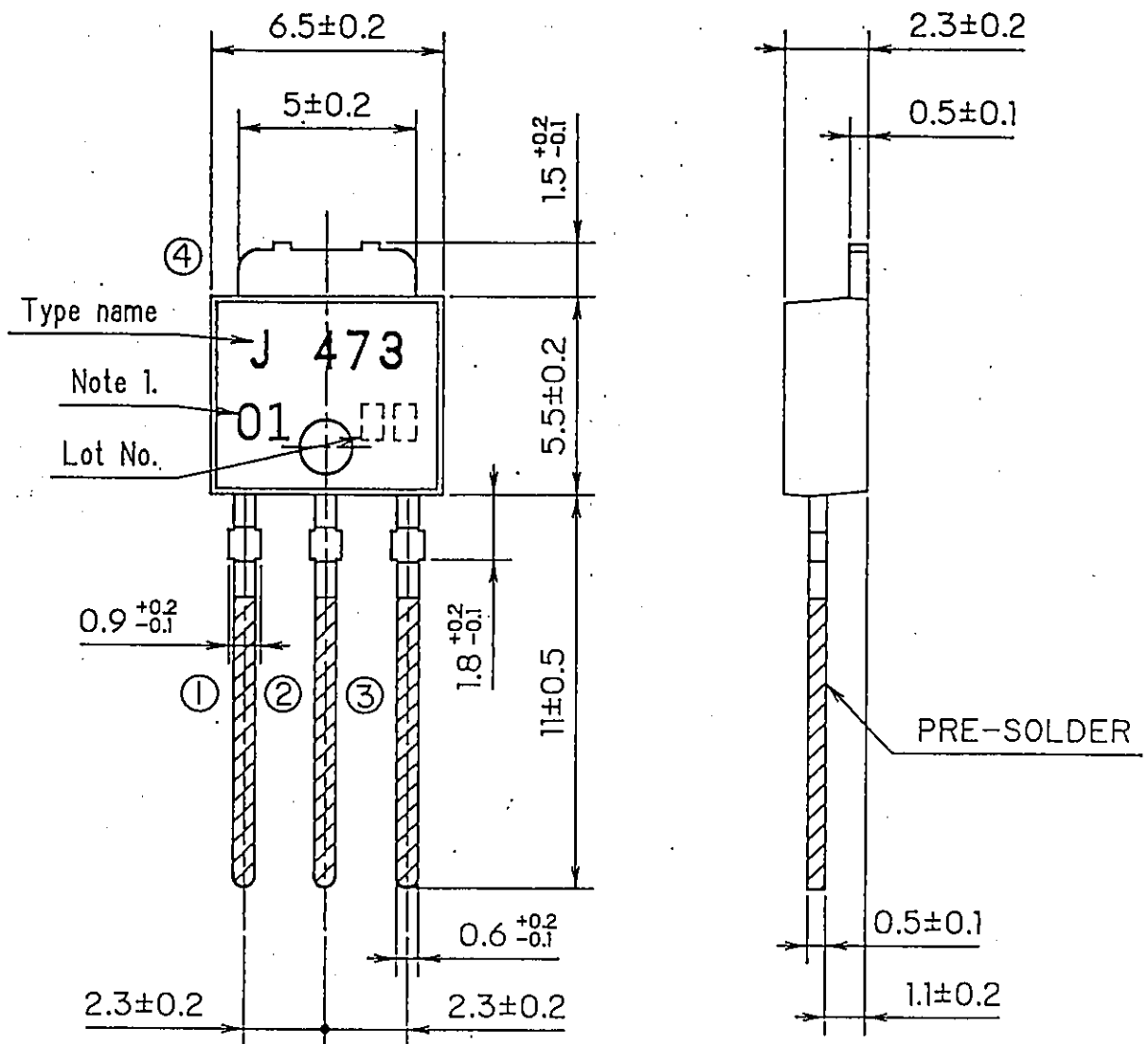


Fig.2 Operating waveforms



MOSFET Type : 2SJ473-01L

OUT VIEW



CONNECTION

- ① GATE
- ②④ DRAIN
- ③ SOURCE

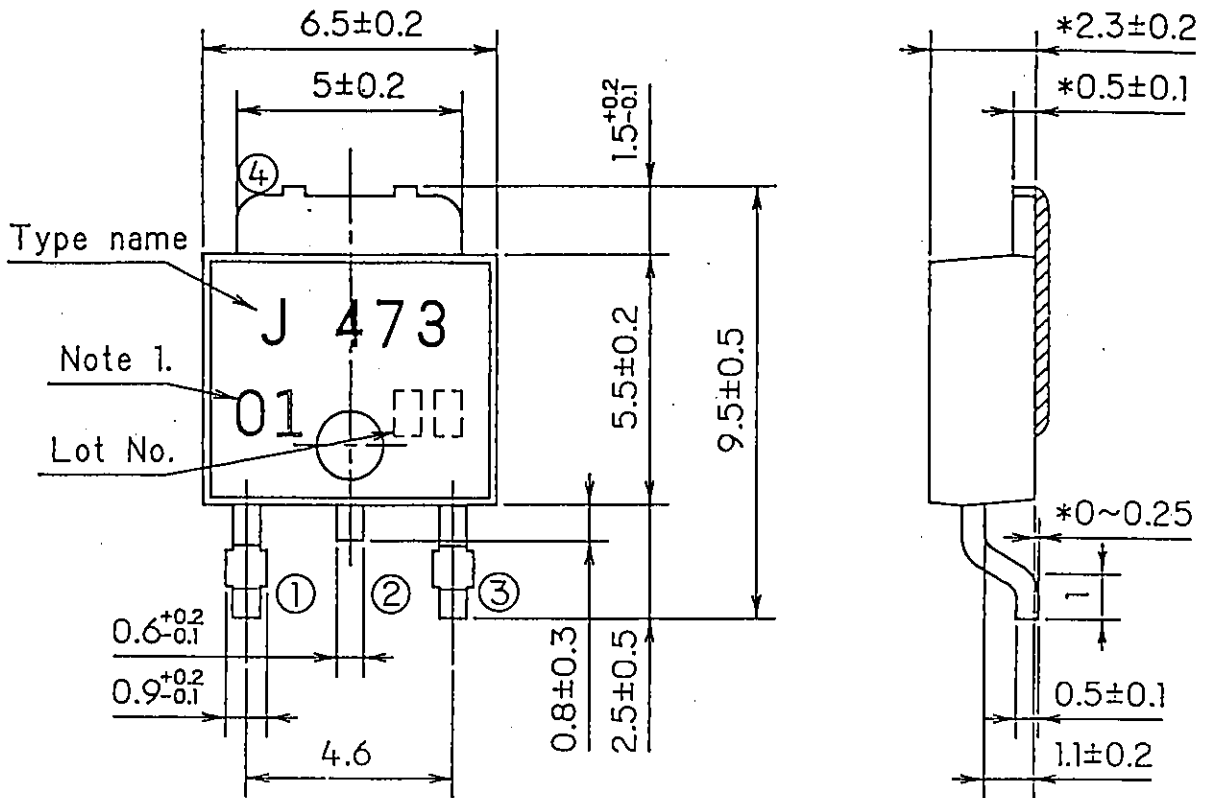
JEDEC:TO-252  
EIAJ:SC-64

Note 1. Guaranteed mark of avalanche ruggedness.

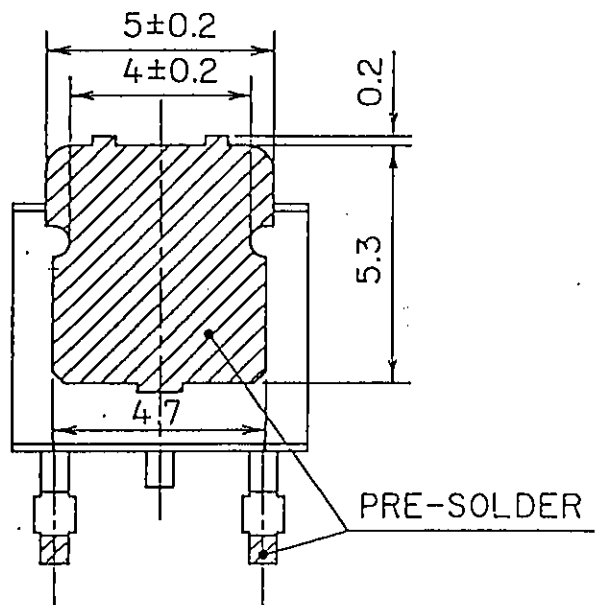
DIMENSIONS ARE IN MILLIMETERS.

MOSFET Type : 2SJ473-01S

OUT VIEW



BACK VIEW



CONNECTION

- ① GATE
- ②④ DRAIN
- ③ SOURCE

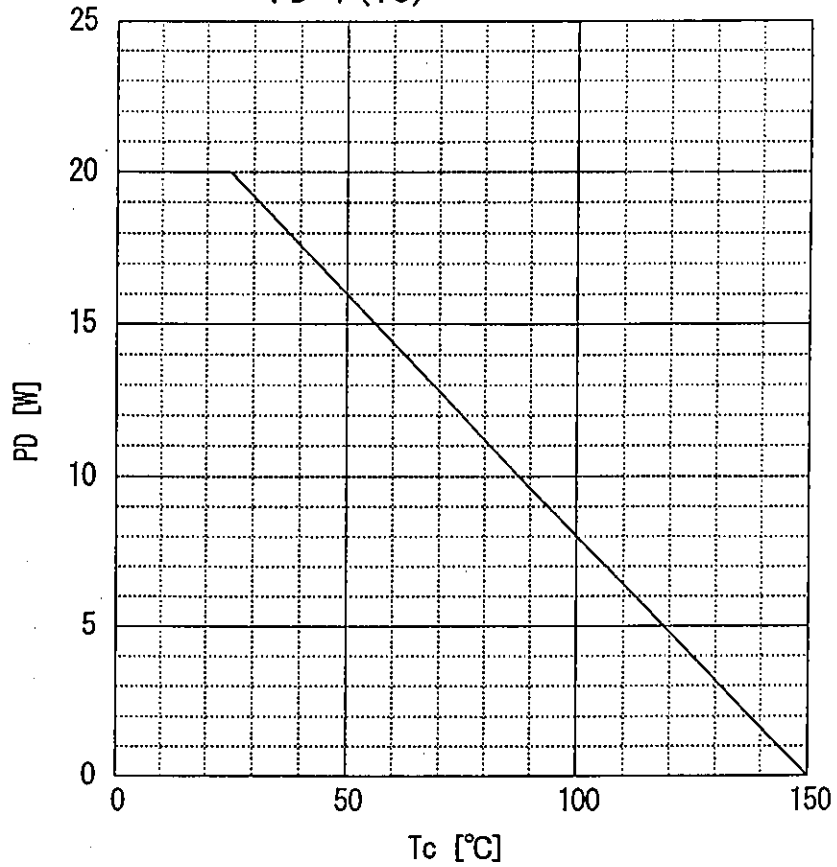
JEDEC:T0-252  
EIAJ:SC-63

Dimension of \* marks are excluded the thickness solder.

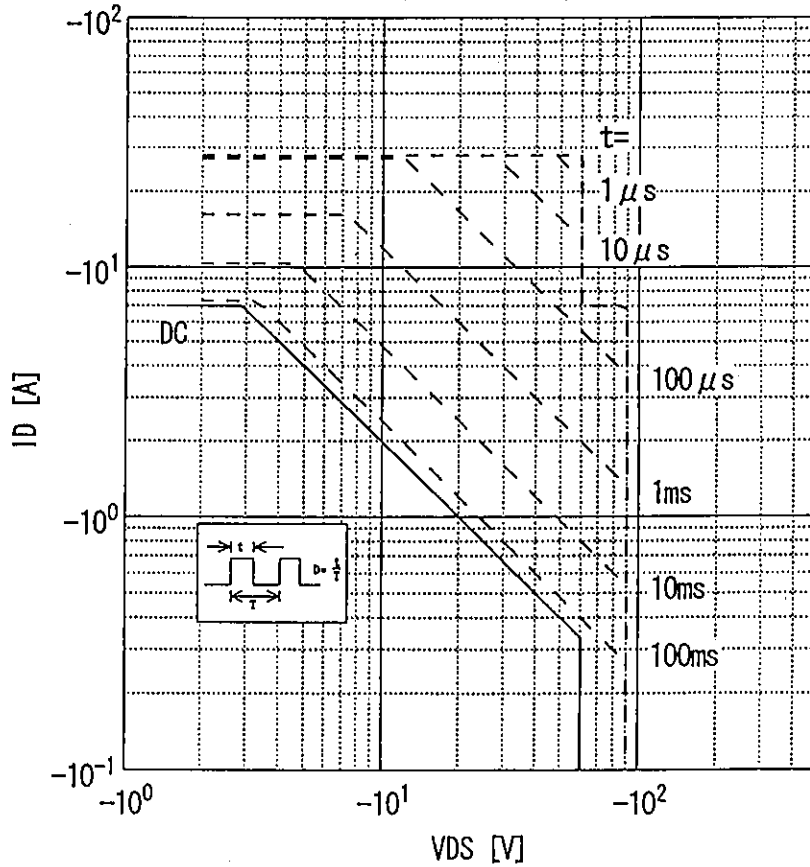
Note 1. Guaranteed mark of avalanche ruggedness.

DIMENSIONS ARE IN MILLIMETERS.

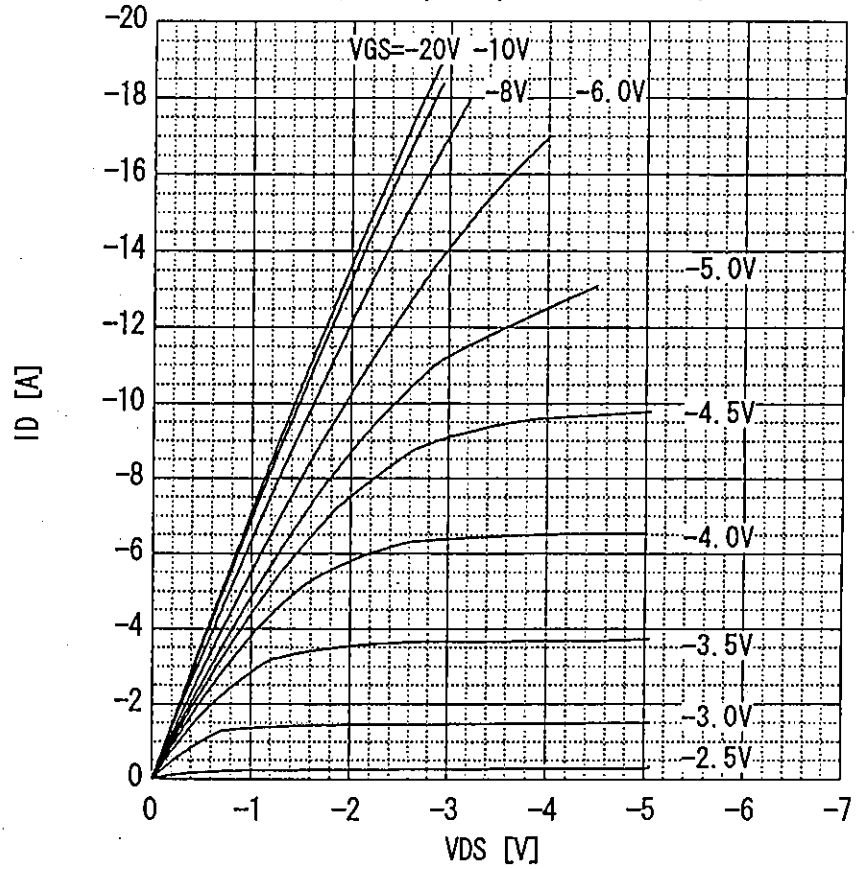
Power Dissipation  
 $PD=f(T_c)$



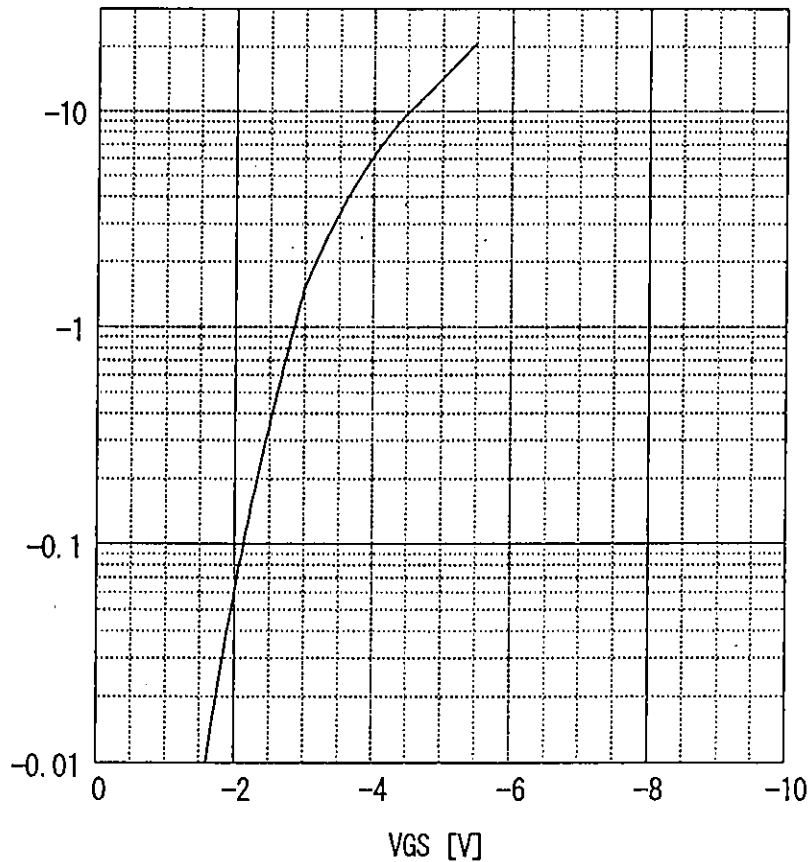
Safe operating area  
 $ID=f(V_{DS}) : D=0.01, T_c=25^\circ\text{C}$



Typical output characteristics  
 $I_D = f(V_{DS}) : 80 \mu s$  pulse test,  $T_c = 25^\circ C$



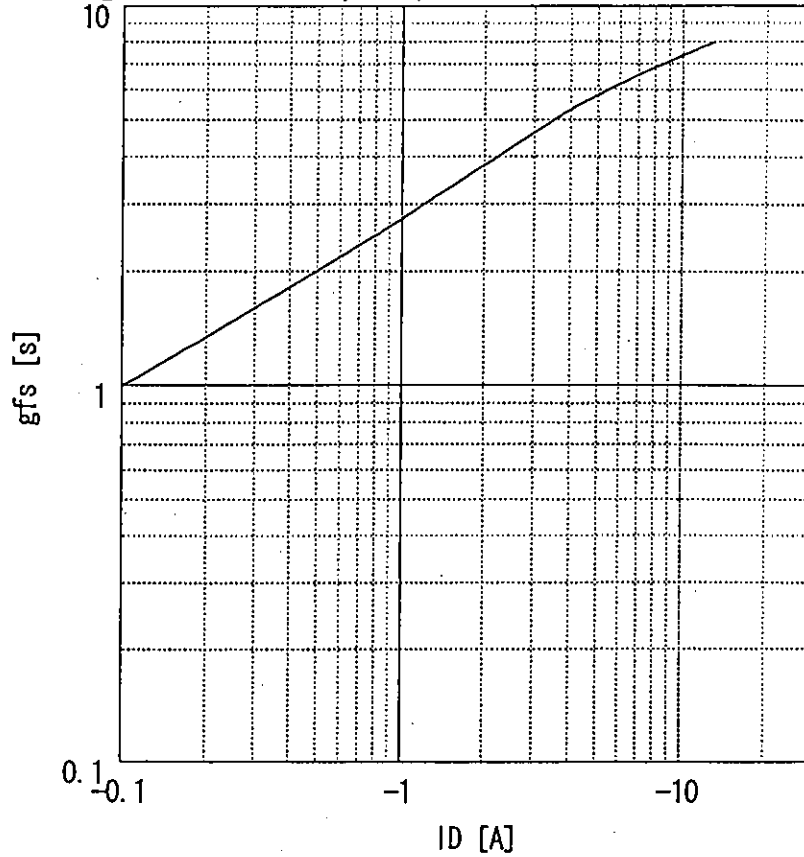
Typical transfer characteristic  
 $I_D = f(V_{GS}) : 80 \mu s$  pulse test,  $V_{DS} = -25V$ ,  $T_{ch} = 25^\circ C$





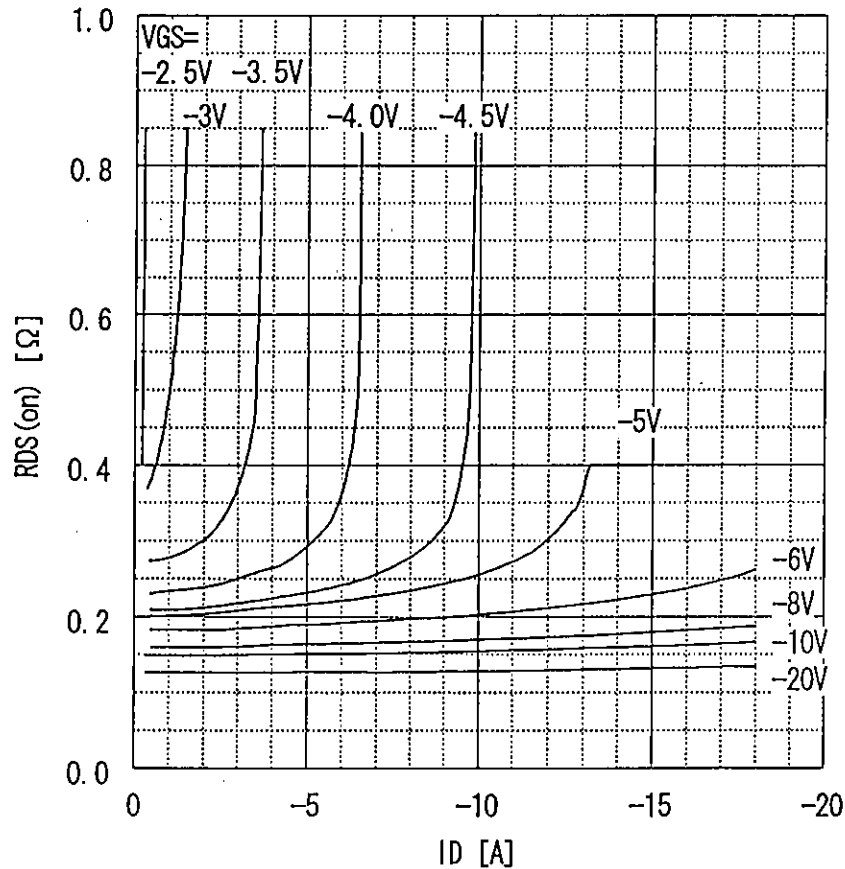
Typical forward transconductance

$g_{fs}=f(I_D)$ : 80  $\mu$ s pulse test,  $V_{DS}=-25V$ ,  $T_{ch}=25^\circ C$

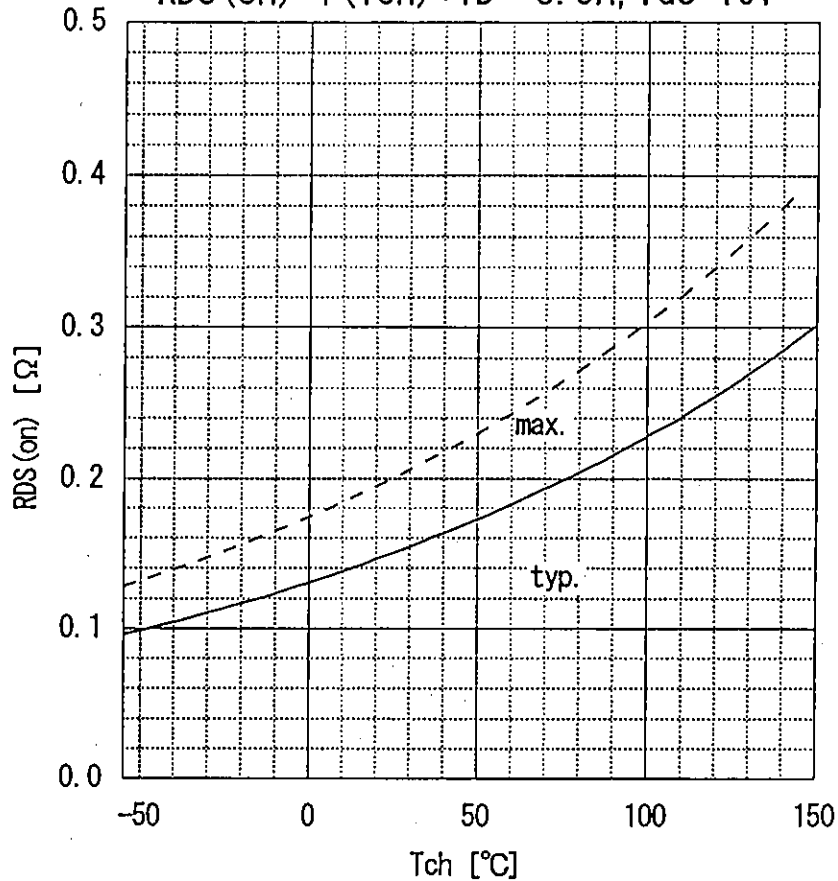


Typical drain-source on-state resistance

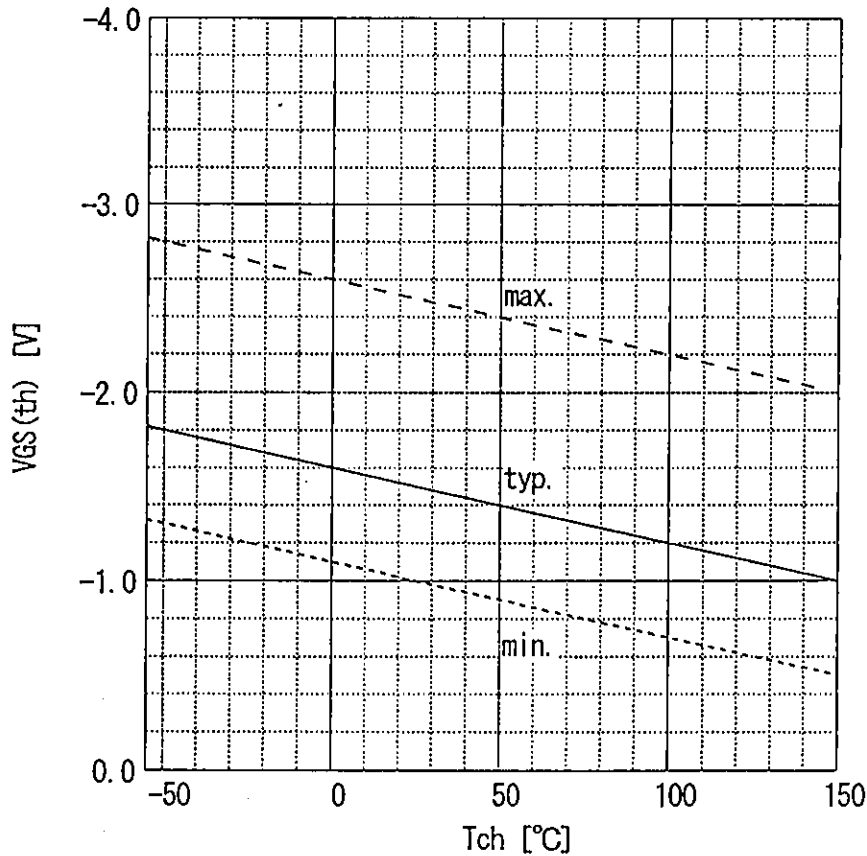
$R_{DS(on)}=f(I_D)$ : 80  $\mu$ s pulse test,  $T_c=25^\circ C$



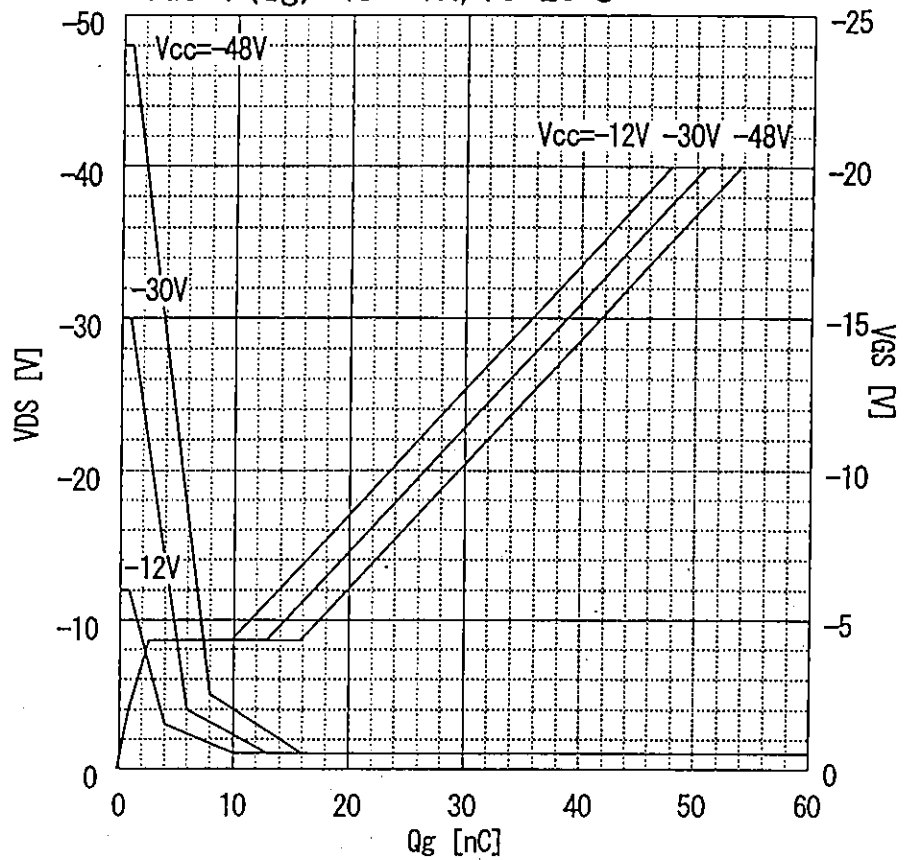
Drain-source on-state resistance  
 $R_{DS(on)} = f(T_{ch}) : I_D = -3.5A, V_{GS} = 10V$



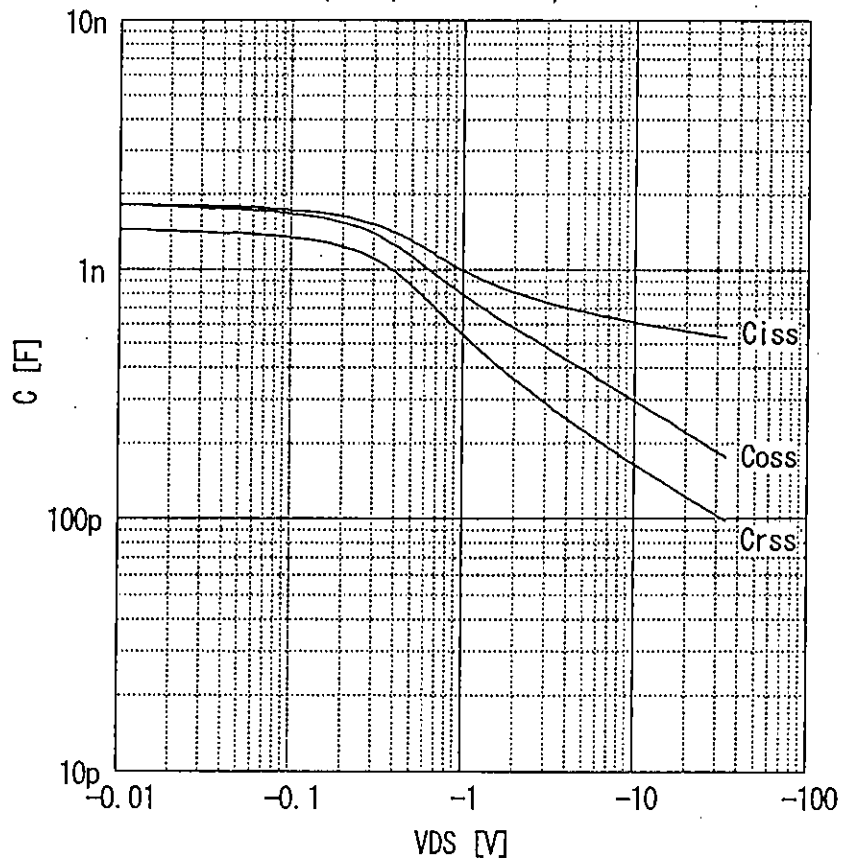
Gate threshold voltage  
 $V_{GS(th)} = f(T_{ch}) : I_D = -1mA, V_{DS} = V_{GS}$



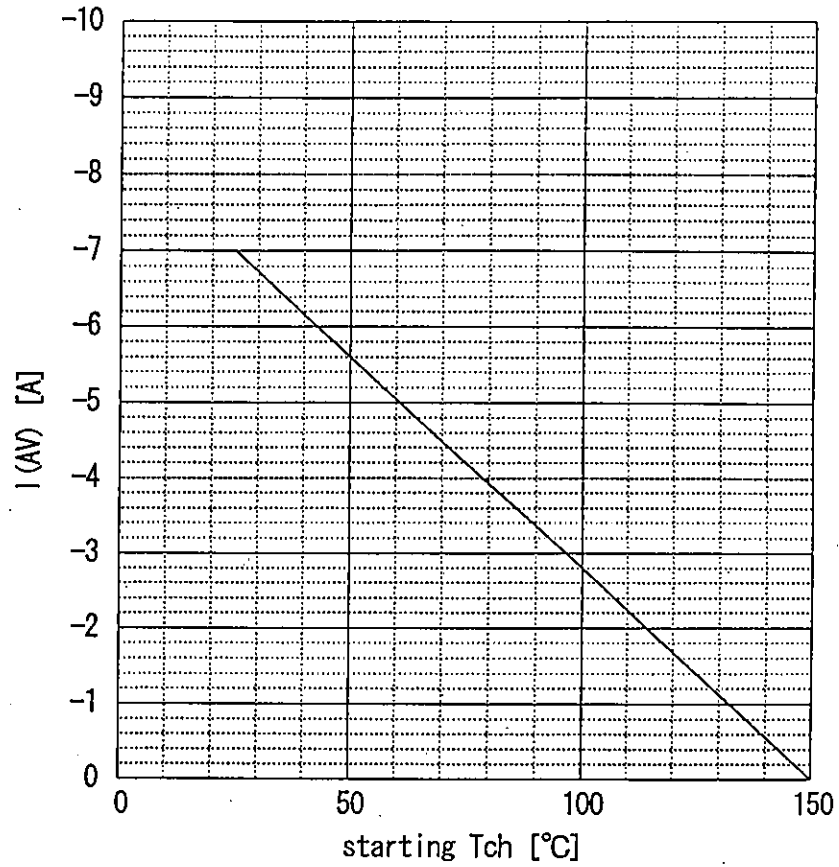
Typical gate charge characteristic  
 $V_{GS} = f(Q_g) : I_D = -7A, T_c = 25^\circ C$



Typical capacitances  
 $C = f(V_{DS}) : V_{GS} = 0V, f = 1MHz$



Maximum Avalanche Current vs. starting Tch  
 $I(AV) = f(\text{starting Tch})$



Maximum Avalanche Energy vs. starting Tch  
 $E(AV) = f(\text{starting Tch}) : V_{CC} = -24V, I(AV) \geq -7A$

