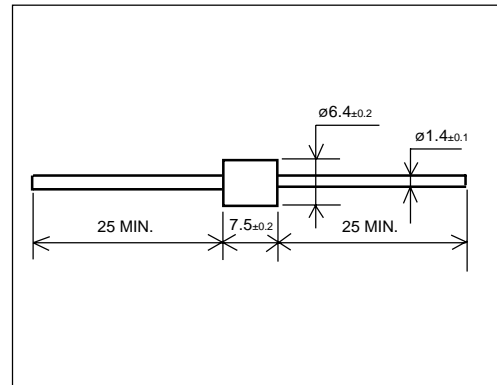


FAST RECOVERY DIODE

■ Outline Drawings



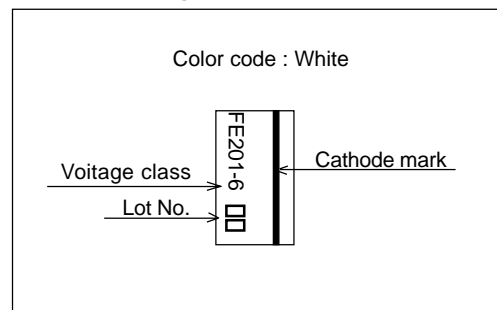
■ Features

- Large current.
- High reliability.

■ Applications

- High speed switching
- +B output rectifier in TV etc

■ Marking



■ Maximum Ratings and Characteristics

- Absolute Maximum Ratings

Items	Symbols	Condition	Ratings	Units
Repetitive Peak Reverse Voltage	V_{RRM}		600	V
Average Output Current	I_{FAV}	Resistive load	3.5*	A
Surge Current	I_{FSM}	Sine wave 10ms	70	A
Operating Junction Temperature	T_j		-40 to +150	°C
Storage Temperature	T_{stg}		-40 to +150	°C

- Electrical Characteristics ($T_a=25^\circ\text{C}$ Unless otherwise specified)

* Mounted on Printed circuit board (25 x 25mm)

Items	Symbols	Conditions	Max.	Units
Forward Voltage Drop	V_{FM}	$I_{FM}=3.5A$	1.3	V
Reverse Current	I_{RRM}	$V_R=V_{RRM}$	10	μA
Reverse Recovery Time	t_{rr}	$I_F=0.1A, I_R=0.1A$	0.4	μs

- Mechanical Characteristics

Weight		1.4	g
--------	--	-----	---

■ Characteristics

