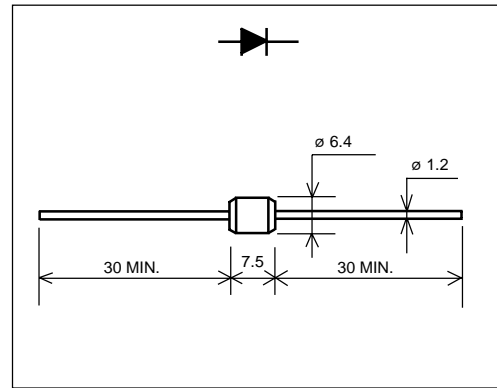


ERD37 (1.5A)

(800 to 1000V / 1.5A)

FAST RECOVERY DIODE

■ Outline drawings, mm



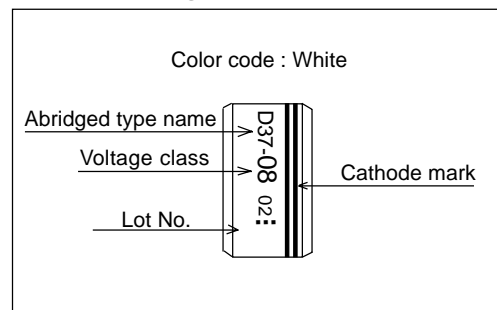
■ Features

- High voltage by mesa design
- High reliability

■ Applications

- High speed switching

■ Marking



■ Maximum ratings and characteristics

- Absolute maximum ratings

Item	Symbol	Conditions	Rating		Unit
			-08	-10	
Repetitive peak reverse voltage	V_{RRM}		800	1000	V
Average forward current	$I_{F(AV)}$	Resistive load (Tl=120°C)	1.5		A
Surge current	I_{FSM}	Sine wave 10ms	50		A
Operating junction temperature	T_j		-40 to +150		°C
Storage temperature	T_{stg}		-40 to +150		°C

- Electrical characteristics (Ta=25°C Unless otherwise specified)

Item	Symbol	Conditions	Max.	Unit
Forward voltage drop	V_{FM}	$I_{FM}=1.5A$	3.0	V
Reverse current	I_{RRM}	$V_R=V_{RRM}$	10	μA
Reverse recovery time	t_{rr}	$I_F=0.1A, I_R=0.1A$	0.3	μs

■ Characteristics

