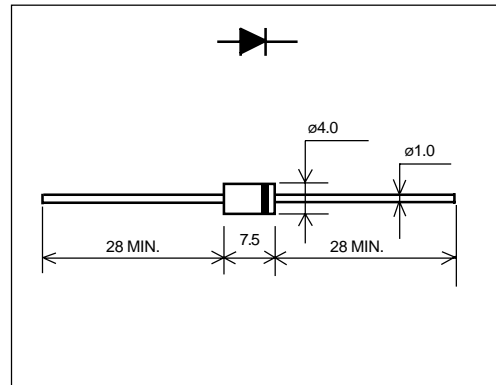


ERC18 (1.2A)

(200, 400V / 1.2A)

FAST RECOVERY DIODE

■ Outline drawings, mm



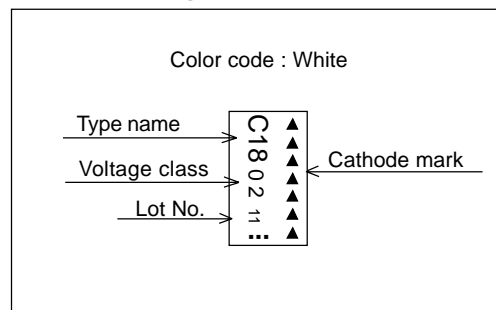
■ Features

- High speed switching
- High reliability

■ Applications

- High speed switching

■ Marking



■ Maximum ratings and characteristics

- Absolute maximum ratings

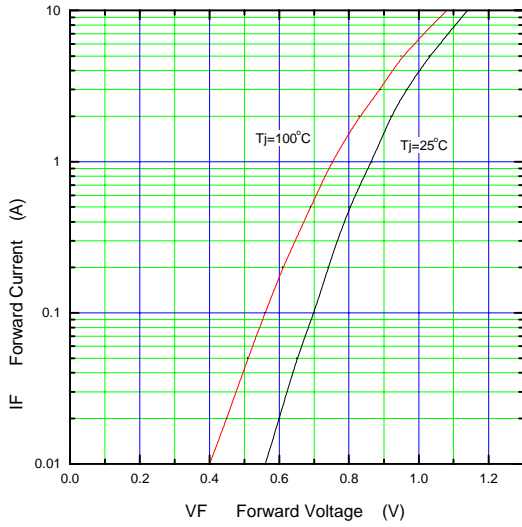
Item	Symbol	Conditions	Rating		Unit
			-02	-04	
Repetitive peak reverse voltage	V_{RRM}		200	400	V
Non-repetitive peak reverse voltage	V_{RSM}		200	400	V
Average forward current	$I_{F(AV)}$	Resistive load ($T_a=40^\circ\text{C}$)	1.2		A
Surge current	I_{FSM}	Sine wave 10ms	40		A
Operating junction temperature	T_j		-40 to +140		$^\circ\text{C}$
Storage temperature	T_{stg}		-40 to +140		$^\circ\text{C}$

- Electrical characteristics ($T_a=25^\circ\text{C}$ Unless otherwise specified)

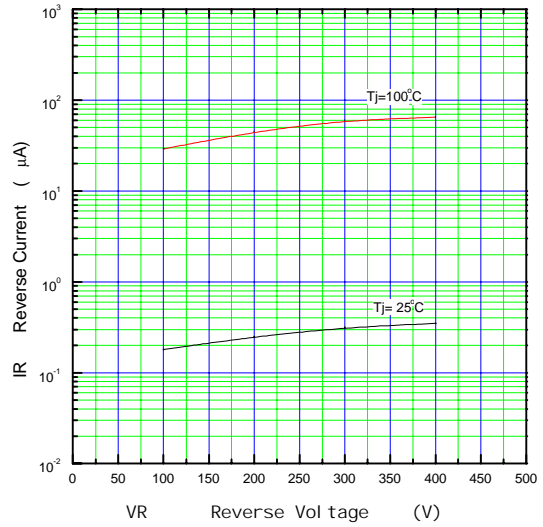
Item	Symbol	Conditions	Max.	Unit
Forward voltage drop	V_{FM}	$I_{FM}=1.2\text{A}$	0.95	V
Reverse current	I_{RRM}	$V_R=V_{RRM}$	10	μA
Reverse recovery time	t_{rr}	$I_F=0.1\text{A}, I_R=0.1\text{A}$	0.4	μs

■ Characteristics

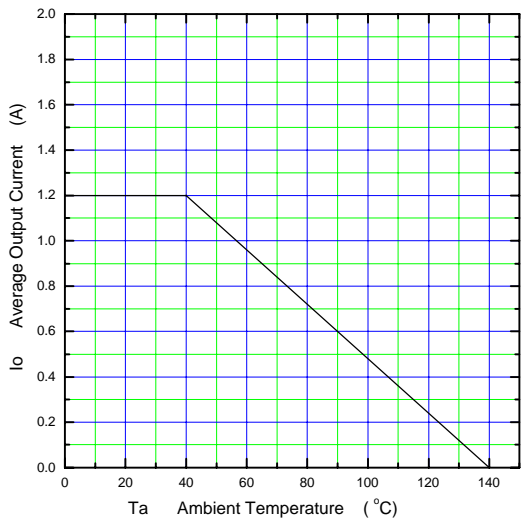
Forward Characteristic (typ.)



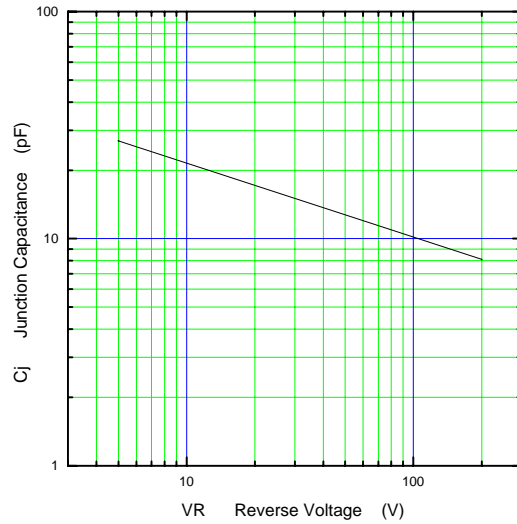
Reverse Characteristic (typ.)



Current Derating (Io-Ta)



Junction Capacitance Characteristic (typ.)



Surge Capability

