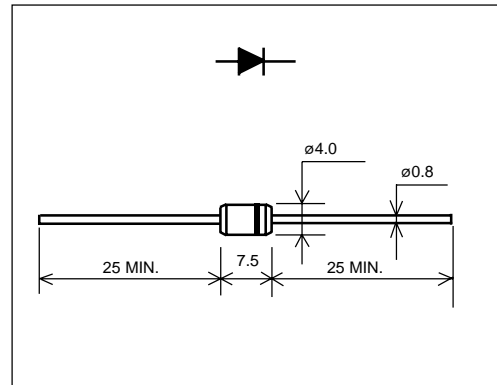


# ERB35 (1A)

( 200V / 1A )

## FAST RECOVERY DIODE

### ■ Outline drawings, mm



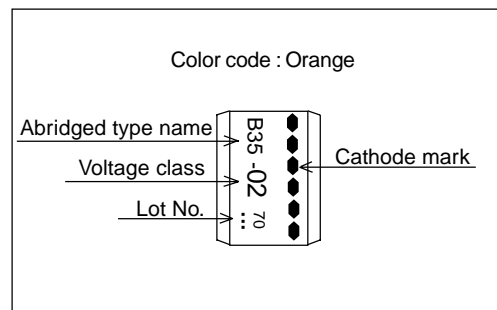
### ■ Features

- Soft recovery, low noise
- High reliability

### ■ Applications

- High speed switching

### ■ Marking



### ■ Maximum ratings and characteristics

- Absolute maximum ratings

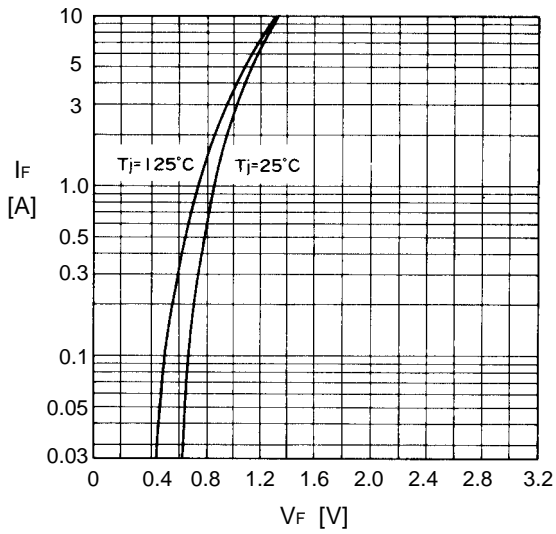
| Item                            | Symbol      | Conditions   | Rating      | Unit             |
|---------------------------------|-------------|--|-------------|------------------|
|                                 |             |  | -02         |                  |
| Repetitive peak reverse voltage | $V_{RRM}$   |  | 200         | V                |
| Average forward current         | $I_{F(AV)}$ | Square wave, duty=1/2,<br>$T_a = 25^\circ\text{C}$ | 1.0         | A                |
| Surge current                   | $I_{FSM}$   | Sine wave 10ms                                     | 30          | A                |
| Operating junction temperature  | $T_j$       |  | -40 to +150 | $^\circ\text{C}$ |
| Storage temperature             | $T_{stg}$   |  | -40 to +150 | $^\circ\text{C}$ |

- Electrical characteristics ( $T_a = 25^\circ\text{C}$  Unless otherwise specified)

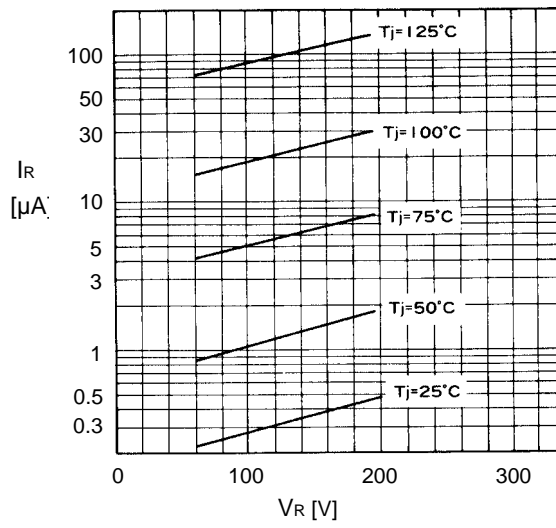
| Item                  | Symbol    | Conditions                             | Max. | Unit          |
|-----------------------|-----------|--|------|---------------|
|                       |           |  |      |               |
| Forward voltage drop  | $V_{FM}$  | $I_{FM} = 1.0\text{A}$                 | 1.1  | V             |
| Reverse current       | $I_{RRM}$ | $V_R = V_{RRM}$                        | 10   | $\mu\text{A}$ |
| Reverse recovery time | $t_{rr}$  | $I_F = 0.1\text{A}, I_R = 0.1\text{A}$ | 100  | ns            |

■ Characteristics

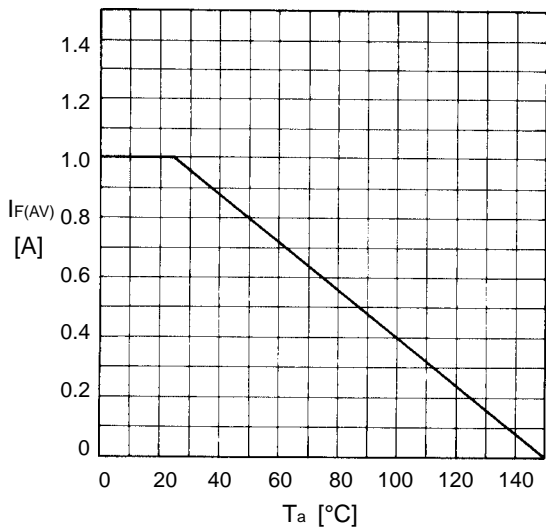
Forward characteristics



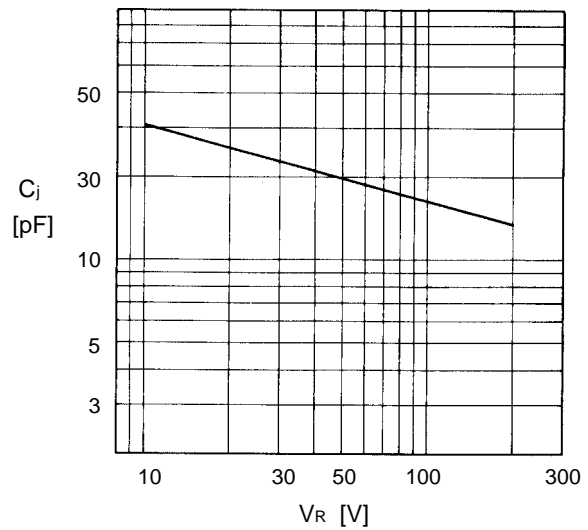
Reverse characteristics



Current derating ( $I_{F(AV)}-T_a$ )



Junction capacitance characteristics



Surge capability

