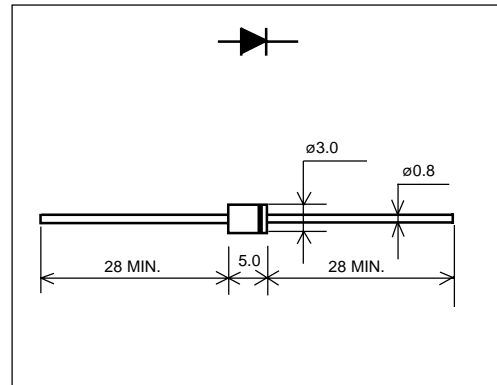


# ERA32 (1.0A)

( 100 to 200V / 1.0A )

## FAST RECOVERY DIODE

### ■ Outline drawings, mm



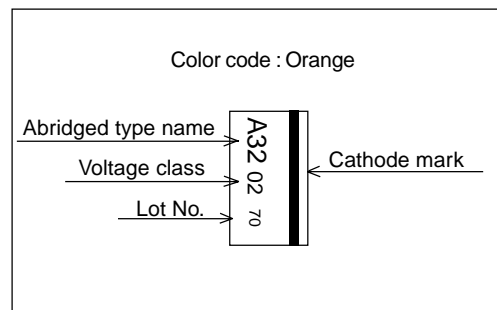
### ■ Features

- Super high speed switching
- Low  $V_F$  in turn on
- High reliability

### ■ Applications

- High speed switching

### ■ Marking



### ■ Maximum ratings and characteristics

- Absolute maximum ratings

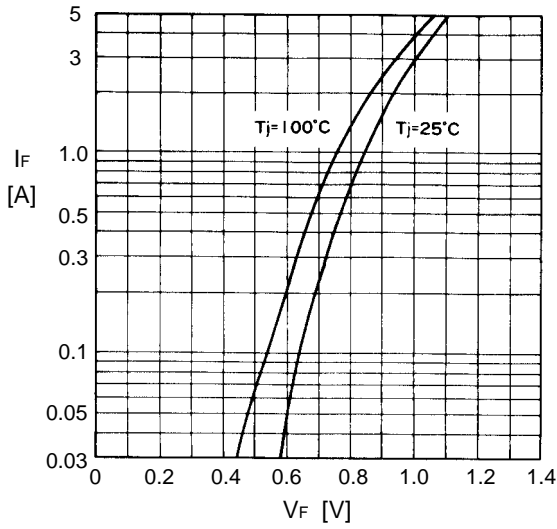
| Item                                | Symbol      | Conditions                                  | Rating      |     | Unit             |
|-------------------------------------|-------------|---|-------------|-----|------------------|
|                                     |             |   | -01         | -02 |                  |
| Repetitive peak reverse voltage     | $V_{RRM}$   |   | 100         | 200 | V                |
| Non-repetitive peak reverse voltage | $V_{RSM}$   |   | 100         | 200 | V                |
| Average forward current             | $I_{F(AV)}$ | Resistive load ( $T_a = 40^\circ\text{C}$ ) | 1.0         |     | A                |
| Surge current                       | $I_{FSM}$   | Sine wave 10ms                              | 40          |     | A                |
| Operating junction temperature      | $T_j$       |   | -40 to +150 |     | $^\circ\text{C}$ |
| Storage temperature                 | $T_{stg}$   |   | -40 to +150 |     | $^\circ\text{C}$ |

- Electrical characteristics ( $T_a = 25^\circ\text{C}$  Unless otherwise specified)

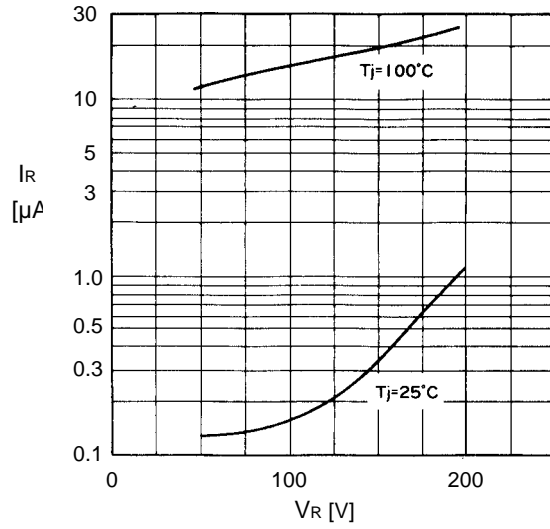
| Item                  | Symbol    | Conditions                             | Max. |     | Unit          |
|-----------------------|-----------|--|------|-----|---------------|
|                       |           |  | -01  | -02 |               |
| Forward voltage drop  | $V_{FM}$  | $I_{FM} = 1.0\text{A}$                 | 0.92 |     | V             |
| Reverse current       | $I_{RRM}$ | $V_R = V_{RRM}$                        | 10   | 50  | $\mu\text{A}$ |
| Reverse recovery time | $t_{rr}$  | $I_F = 0.1\text{A}, I_R = 0.1\text{A}$ | 100  |     | ns            |

■ Characteristics

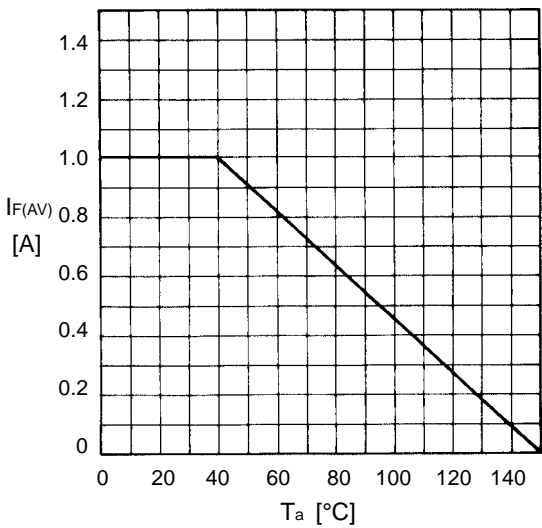
Forward characteristics



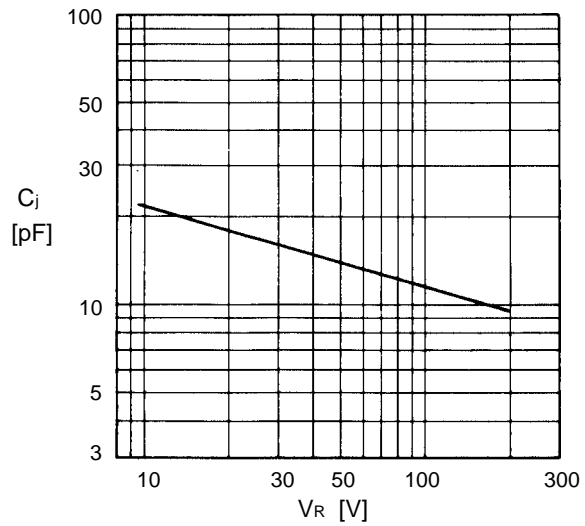
Reverse characteristics



Current derating ( $I_{F(AV)}-T_a$ )



Junction capacitance characteristics



Surge capability

