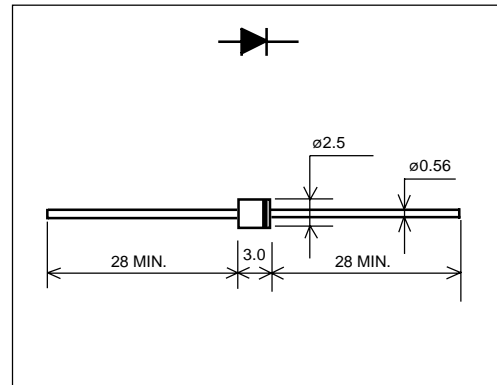


ERA18 (0.8A)

(200, 400V / 0.8A)

FAST RECOVERY DIODE

■ Outline drawings, mm



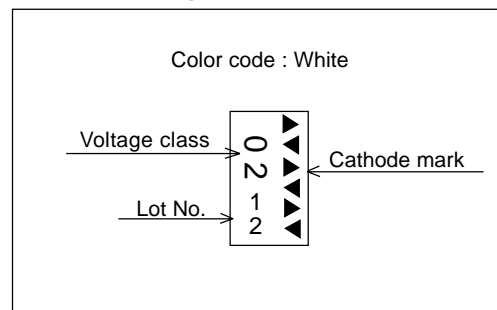
■ Features

- High speed switching
- Ultra small package
Possible for 5mm pitch automatic insertion
- High reliability

■ Applications

- High speed switching

■ Marking



■ Maximum ratings and characteristics

- Absolute maximum ratings

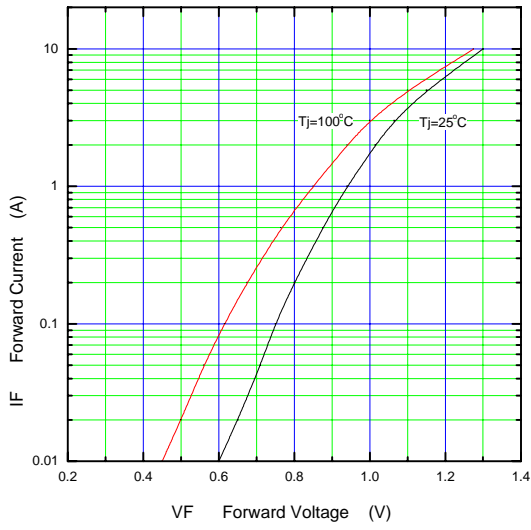
Item	Symbol	Conditions	Rating		Unit
			-02	-04	
Repetitive peak reverse voltage	V_{RRM}		200	400	V
Non-repetitive peak reverse voltage	V_{RSM}		200	400	V
Average forward current	$I_{F(AV)}$	Resistive load ($T_a=40^{\circ}C$)	0.8		A
Surge current	I_{FSM}	Sine wave 10ms	30		A
Operating junction temperature	T_j		-40 to +140		$^{\circ}C$
Storage temperature	T_{stg}		-40 to +140		$^{\circ}C$

- Electrical characteristics ($T_a=25^{\circ}C$ Unless otherwise specified)

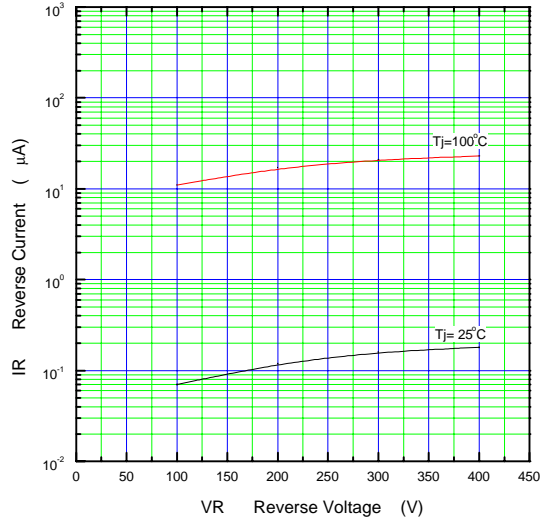
Item	Symbol	Conditions	Max.	Unit
Forward voltage drop	V_{FM}	$I_{FM}=0.8A$	1.05	V
Reverse current	I_{RRM}	$V_R=V_{RRM}$	10	μA
Reverse recovery time	t_{rr}	$I_F=0.1A, I_R=0.1A$	0.4	μs

■ Characteristics

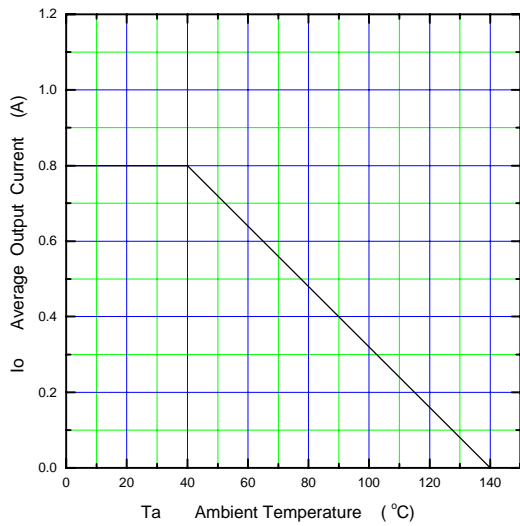
Forward Characteristic (typ.)



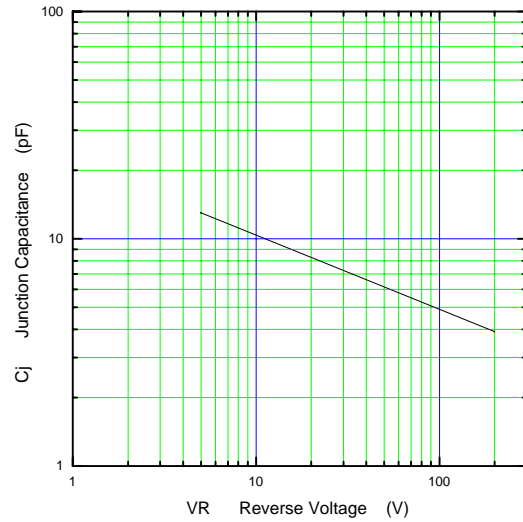
Reverse Characteristic (typ.)



Current Derating (Io-Ta)



Junction Capacitance Characteristic (typ.)



Surge Capability

