

ERA17 (1.0A)

(200V to 400V / 1.0A)

GENERAL USE RECTIFIER DIODE

Features

- Ultra small package, possible for 5mm pitch automatic insertion.
- High reliability
- ESD-proof

Applications

- General purpose rectifier applications
- Automobile use

Maximum ratings and characteristics

- Absolute maximum ratings

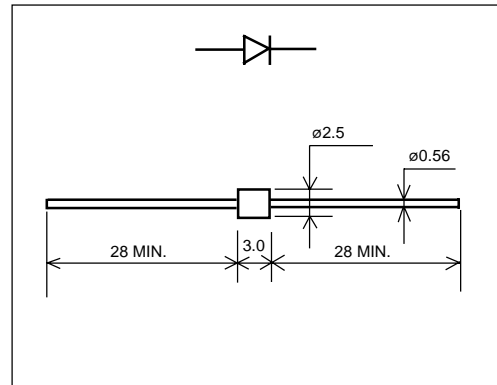
Item	Symbol	Conditions	Rating		Unit
			-02	-04	
Repetitive peak reverse voltage	V_{RRM}		200	400	V
Non-repetitive peak reverse voltage	V_{RSM}		200	400	V
Average forward current	$I_{F(AV)}$	Resistive load $T_a=40^{\circ}C$	1.0 *	1.0 *	A
Surge current	I_{FSM}	Sine wave 10ms	40	40	A
Operating junction temperature	T_j		-40 to +140		$^{\circ}C$
Storage temperature	T_{stg}		-40 to +140		$^{\circ}C$

*Mounted to glass fabric base epoxy resin printed circuits, land (5mm x 5mm), lead 5mm(min.)

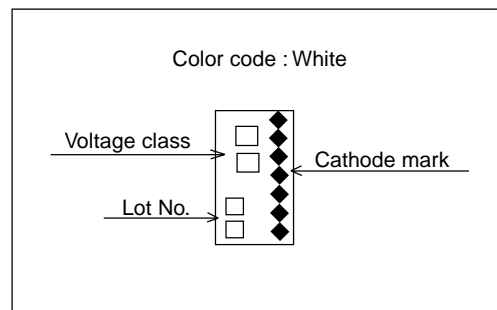
- Electrical characteristics ($T_a=25^{\circ}C$ Unless otherwise specified)

Item	Symbol	Conditions	Max.	Unit
Forward voltage drop	V_{FM}	$I_{FM}=2.0A$	1.1	V
Reverse current	I_{RRM}	$V_R=V_{RRM}$	10	μA
Thermal resistance	$R_{th(j-a)}$	Junction to ambient	120*	$^{\circ}C/W$

Outline drawings

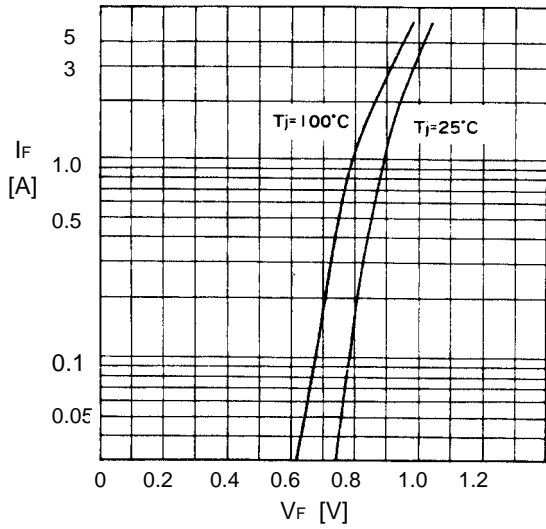


Marking

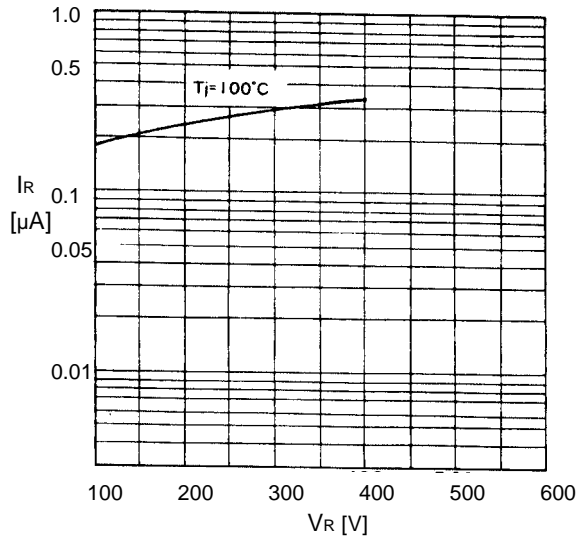


■ Characteristics

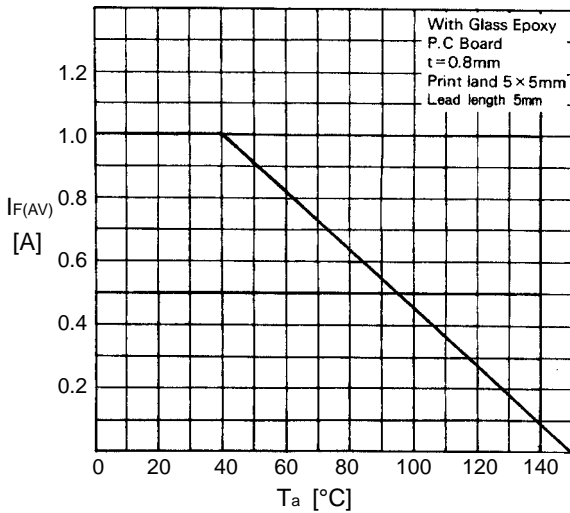
Forward characteristics



Reverse characteristics



Current derating ($I_{F(AV)}-T_a$)



Surge capability

